

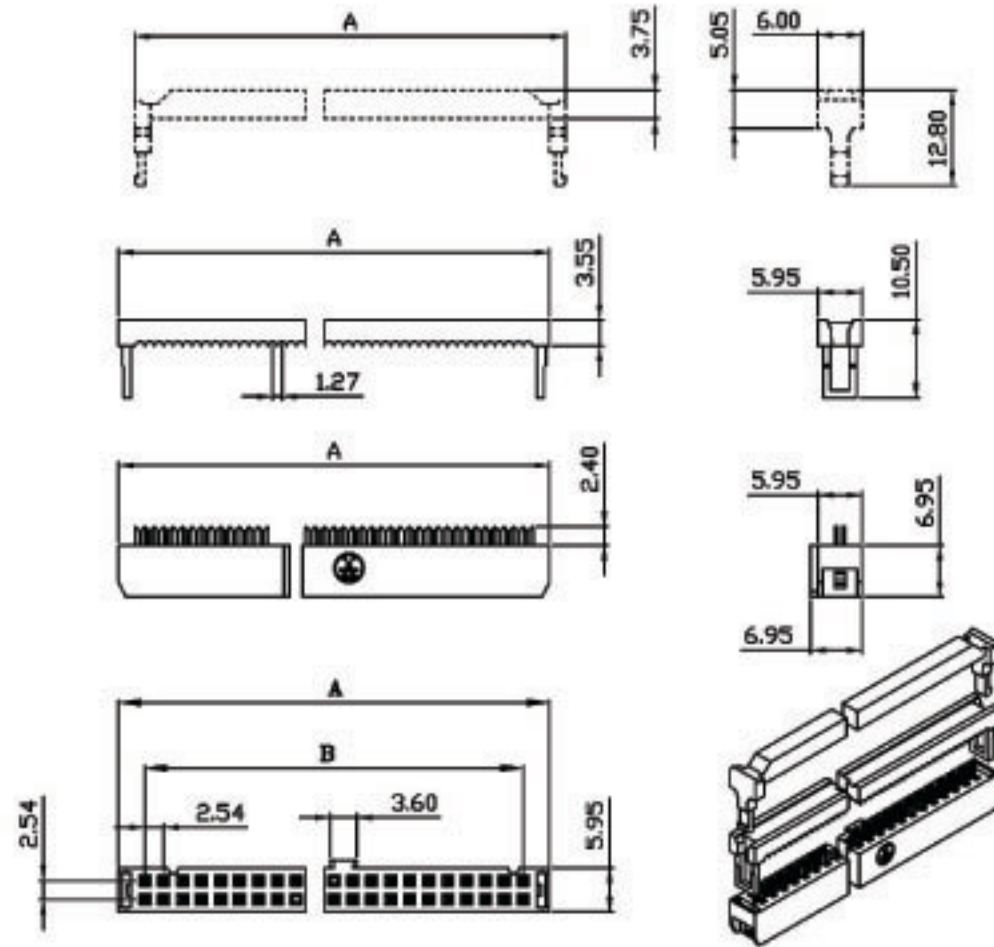
**MATERIALS:**  
 INSULATOR: P.B.T. 30% GLASS FIBER, UL94V-0  
 CONTACT MATERIAL: BRASS OR PHOSPHOR BRONZE,  
 UNDERPLATE: NICKEL  
 CONTACT AREA: 1u"~30u" SELECTIVE GOLD  
**ELECTRICAL:**  
 CURRENT RATING: 1AMP.  
 INSULATION RESISTANCE: 1000MΩ MIN.  
 DIELECTRIC WITHSTANDING: 500VAC  
 OPERATING TEMPERATURE: -55°C~+105°C

# AWPxx-xx4x-T-R

**Upper Part:**  
 0 - without strain relief  
 1 - with strain relief  
  
**Plating**  
 5 - full-tin plated  
 2 - Quality class III  
 gold flash selective

**No. of Contacts:**  
 06/08/10/14/16/20/26/34  
 40/50/60/64

7 - w/ polarized key,  
 8 - w/o polarized key



DIMENSION					
POSITION	A	B	POSITION	A	B
06P	12.18	05.08	24P	35.04	27.94
08P	14.72	07.62	26P	37.58	30.48
10P	17.26	10.16	30P	42.66	35.56
12P	19.80	12.70	34P	47.74	40.64
14P	22.34	15.24	36P	50.43	43.18
16P	24.88	17.78	40P	55.36	48.26
18P	27.42	20.32	44P	60.64	53.34
20P	29.96	22.86	50P	68.06	60.96

UNLESS OTHERWISE SPECIFIED TOLERANCE			
±0.2			
SCALE: AS SHOWN	UNIT: mm	DRAWN NAME: I.D.C. SOCKET-DUAL ROW (PITCH:2.54mm) 1/3 PRODUCT NO. AWPxx-xx4x-T-R FILE NAME:	
DRAWN JOE	12/15/05		
CHECKED	/ /		
APPROVED		DATE	12/14/05
REV. A	DESCRIPTION	SIZE	A4

REV.	DESCRIPTION	DATE
A	ECN-0512087(Emily)	12/14/05